

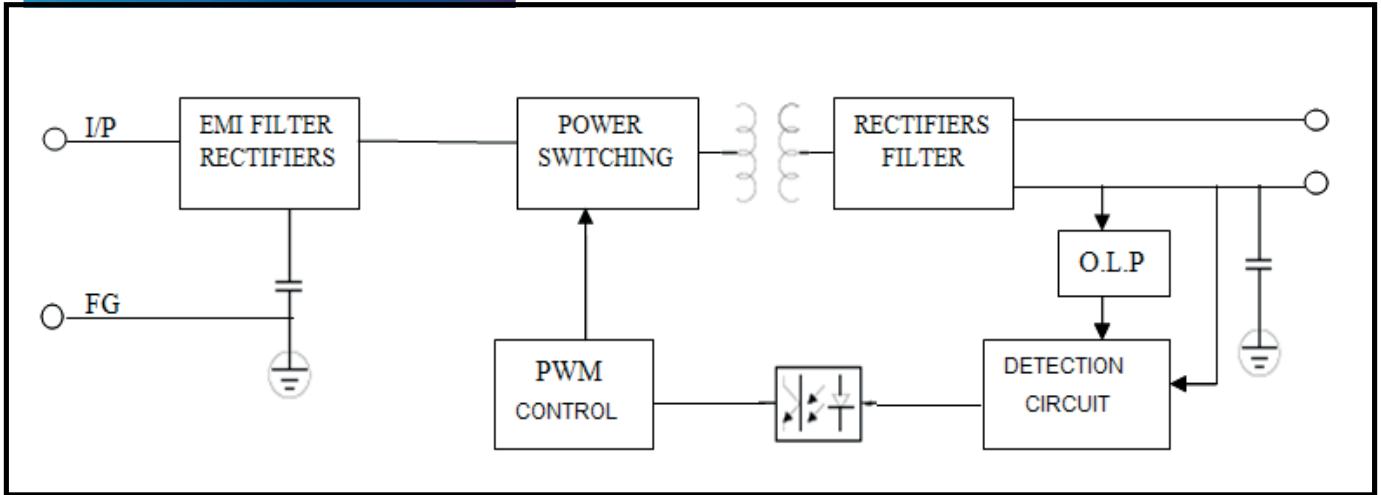
## SLIM POWER SUPPLY ME-16011



- ◆ Constant Voltage design
- ◆ Universal AC input
- ◆ Withstand 300VAC surge input for 5seconds
- ◆ Protections:Short circuit/Over load/Over current
- ◆ Cooling by free air convection
- ◆ 100% full load burn-in test
- ◆ High Reliability

<b>Output</b>	Rated DC voltage	12V
	Rated current	8.3A
	Current range	0-8.3A
	Rated Power	100W
	Voltage tolerance	12±0.5V
	Ripple & Noise	200mVP-P
	Load regulation	±2%
	Setup,Rise time	50ms/230VAC
	Hold up time	20ms/230VAC
<b>Input</b>	Voltage range	100-265VAC
	Frequency range	47-63HZ
	Efficiency(Tpy.)	>85%
	Leakage current	0.25mA/240VAC
<b>Protection</b>	Over Current	110%-150%
		Protection type: Hiccup mode
	Short Circyt	Short circuit protection
<b>Environment</b>	Working TEMP.	-25°C-50°C
	Storage TEMP.	-40°C-80°C
	Working Humidity	20 ~ 90% RH, non-condensing
	Vibration	10-500HZ,2G 10min/1cycle,preiod for 60min,each along X,Y,Z axes
	TEMP. coefficient	±0.03%°C (0-50°C)
<b>Safety</b>	Safety Standards	Design refer to LVD EN61347-2-13:2006,EN61347-1:2008
	With stand Voltage	I/P-O/P:3KVAC,I/P-COVER:3KVAC,O/P-COVER:500VAC
	Isolation Resistance	I/P-O/P:>100M Ohms/500VDC/25°C/70% RH
<b>Others</b>	MTBF	50KHours (25°C)
	Dimension	195*53*18mm(L*W*h)
	Weight	170G

## Circuit diagram



## Diagram

